

TALENTO





— **INGENIOUS** —
MOVER

**MULTI-TALENTED
LIKE EVERY PRO.**

Being clever is to have the ability to adapt. To face different situations and always have the perfect solution for them.

TALENTO has it all. Designed to **TRANSPORT GOODS** or **PEOPLE**, it offers professionals a wide range of solutions, from loading features to accessories - that makes a huge difference for your everyday work.





— INGENIOUS —
OUTSIDE

**DESIGNED TO
STAND OUT.**



The **AGGRESSIVE DESIGN** of the Talento shows how this unique van belongs to a long lineage of hard workers. From the style standpoint, Talento is compact and well-proportioned: the forward stretching windscreen pleasantly connects to the short bonnet and the overall effect is one of an imposing but dynamic front end. The design is horizontal with bold, clear-cut lines in tune with the **NEW**

FAMILY FEELING of the Fiat Professional range and enhances the width of the vehicle and its loading capacity, clearly suggested by the **SQUARE-SHAPED REAR** end, while conveying an idea of dynamism and stability. The Talento's design ingenuity was also applied to its size, thought to perfectly fit the space limits of every city, while offering great cargo capacity to carry every business forward.





— INGENIOUS —
INSIDE

**MAKE YOUR
HEADQUARTERS
ANYWHERE.**

The interior of Talento is the perfect office for fully dedicated workers like you. Carefully thought to combine comfort and functionality, it comes with all the standard items that makes every hour at work pleasant and effective.

The ingenious solutions that brings a **CENTRAL SEAT WITH POP-UP TABLE**, completed by **smartphone and tablet holder*** and the rear view camera (in the rearview mirror or integrated in the 7" screen in case of touchradio nav) are some of the many features that make it your future workstation.

* by MOPAR





INGENIOUS TECHNOLOGY

PUTTING TECHNOLOGY TO GOOD USE.

Technology plays a huge role on almost every single business. And Talento also uses it to its advantage.

The **KEYLESS ENTRY/KEYLESS GO** was carefully thought for the busy hands of a hard worker. And parking the Talento is made easy with integrated **RADAR PARKING** and **REAR CAMERA** with image in the interior mirror and in the 7" screen in case of touch-radio nav. Complemented by the **VIEWPLUS MIRROR**, that reduces the blind angle and improves the lateral view.

It comes with complete media centre **7" TOUCH-RADIO NAV**, available with Apple CarPlay support and Android Auto™.





INGENIOUS

POWER

GET GREAT RESULTS
ANYWHERE.



Talento is powered by a **FULL RANGE OF EURO 6d-TEMP ENGINES**, with **TRACTION+** system and **ESC** with **HILL HOLDER**: to let you work anywhere you need.

A reliable, powerful and cost-effective engine that delivers **POWER UP TO 170 HP**. The perfect to help your work, with high performance and low consumption.

EURO 6 ENGINES

- 1.6 Euro 6c Ecojet S&S 95 Hp
- 2.0 Euro 6d-TEMP Ecojet S&S 120 Hp
- 2.0 Euro 6d-TEMP Ecojet S&S 145 Hp
- 2.0 Euro 6d-TEMP Ecojet S&S 170 Hp





INGENIOUS SAFETY

ARRIVE SAFELY.

With its unique safety features, every worker, passenger or cargo will always arrive safe. Talento comes with **ABS** with **EBD** and **HBA**.

And the **ESC**, with **TRACTION+** system that transfers torque to the wheels, giving the best grip. And the **HILL HOLDER** technology, that aids you on steep roads, keeping your brakes activated for 3 seconds.

ABS WITH EBD AND HBA

Anti-lock Braking System

This is an integral part of the braking system, which prevents one or more wheels from locking and slipping regardless of the road surface conditions and braking intensity, ensuring control of the vehicle even during emergency braking.

Electronic Brake force Distribution

The braking system distributes brake force between front and rear axles to optimise efficiency in all driving conditions.

Hydraulic Brake Assist

This system, integrated in the ABS, recognises emergency braking conditions according to the speed of operation of the brake pedal and guarantees additional hydraulic braking pressure to support that provided by the driver. This allows faster and more powerful operation of the braking system.

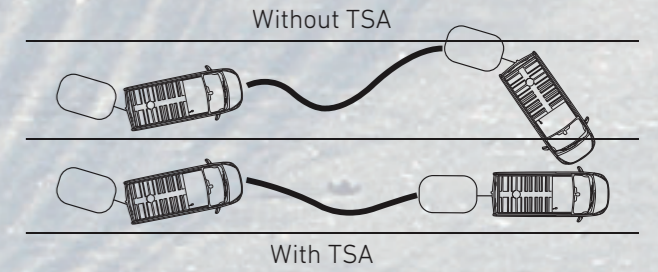
TRACTION +

Traction+ is the innovative traction control system that improves the vehicle's traction on the most challenging surfaces with poor grip. Under conditions of low grip from any drive wheel, the control unit detects slipping and brakes it, transmitting the drive torque on the wheel with the best grip on the ground. In this way, the vehicle's performance is more comfortable, ensuring the best stability and handling.



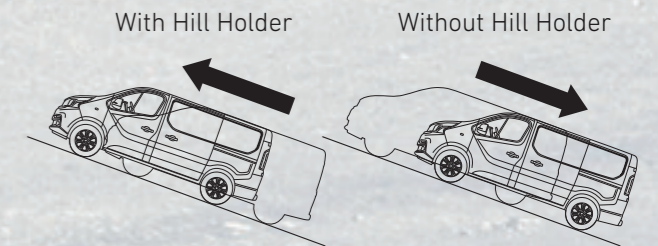
TSA

The Trailer Stability Assist system guarantees perfect stability even when towing. If the vehicle skids, the TSA automatically modulates the engine's power and the braking force on each wheel to give stability back to the vehicle and its trailer.



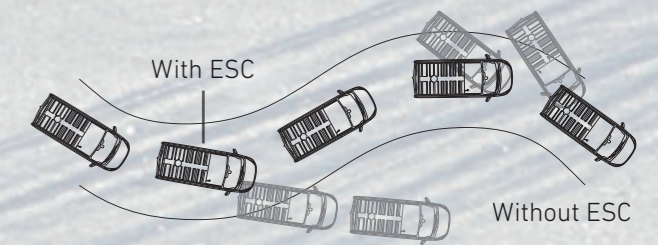
HILL HOLDER

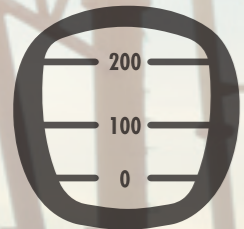
Ideal for starting off uphill with ultimate ease, even with a full load. The Hill Holder automatically blocks the vehicle for several seconds without you having to press the brake pedal.



ESC

The Electronic Stability Control offers you exceptional grip and stability by independently managing the braking force on the wheels when taking a curve. It prevents the wheels from skidding, minimises the risk of the vehicle skidding and guarantees perfect traction in all conditions.





INGENIOUS CARRIER

SUCCESS COMES IN
MANY FORMS:
ALL OF THEM.



Versatility is key when running a successful business. Whether its goods or passengers, Talento is designed to effectively transport all of them, without losing the car's compactness – great for urban centers.

Flexible and adaptable, you can easily load large objects from both side door and rear doors. Offering **UP TO 1,3 TON PAYLOAD**, with space for 3 Euro pallets (starting from

short wheelbase/low roof) and the possibility of also transporting long objects. They can be easily carried through the **CARGOPLUS**, an opening underneath the passenger's seat that lets you fit **UP TO 4.15 METERS** length objects, such as plastic pipes.

Talento has squared lines, implying its roomy interior and wide **LOAD COMPARTMENT, UP TO 8.6 M³**.





— INGENIOUS —
VERSATILITY
— CREW CABS. —



The team behind every job well done has a space on Talento.
With a **LOAD COMPARTMENT OF 3,2 M³** in short wheelbase versions and **4,0 M³** in the long wheelbase versions, the shielded double cabin carries a large amount of goods and all your working team.

The Crew cab has **FIVE OR SIX SEATS**, adding comfort to every trip. The cargo compartment is accessible from the rear, with **LEAF DOORS OPENING AT 90°** or **180°/250°**. Allowing to use every centimeter of the loading compartment, from the floor up to the roof.

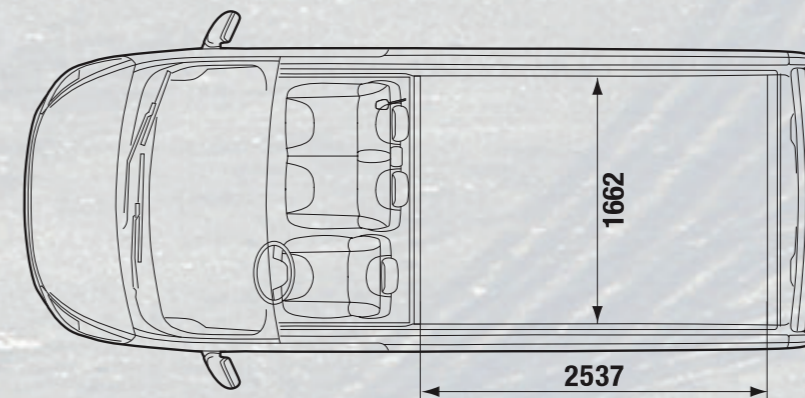
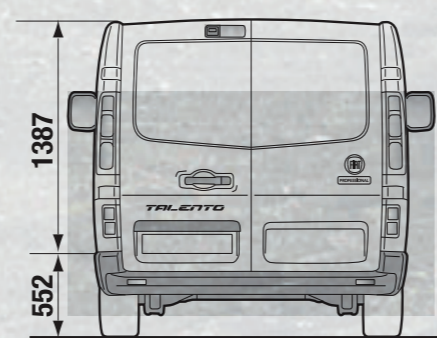
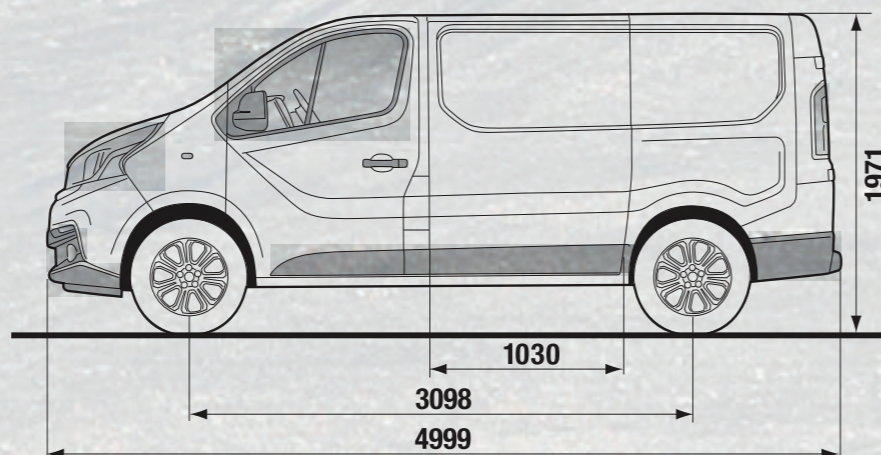
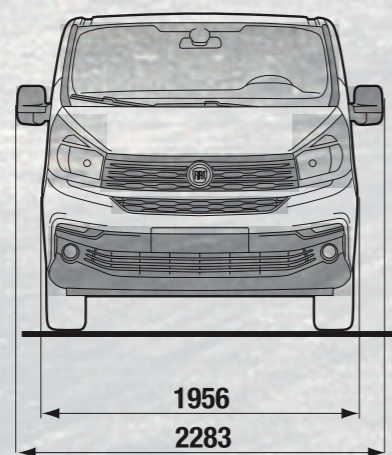




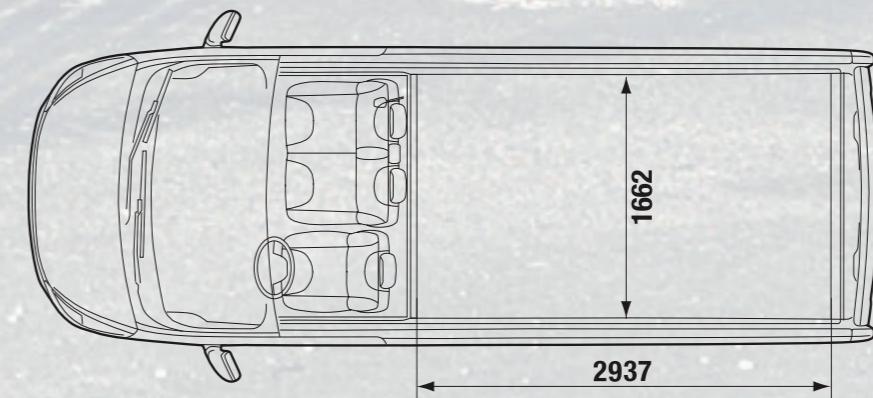
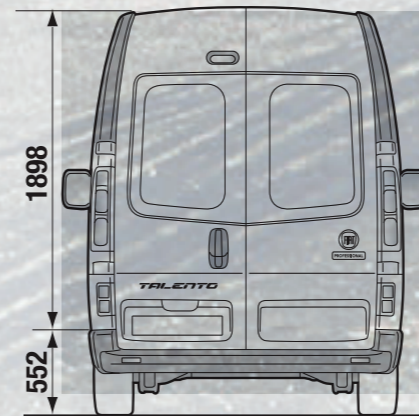
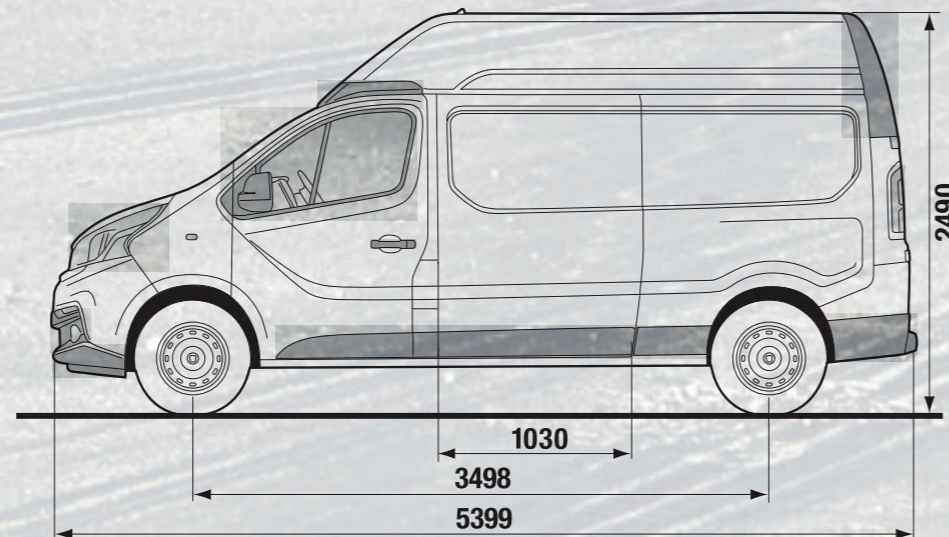
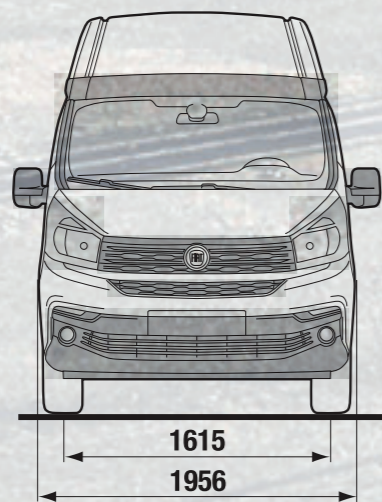
INGENIOUS
VERSATILITY
VAN VERSIONS.

The van's versatility allows you to choose the perfect combination for your business, between **TWO** different **HEIGHTS**, **TWO** **LENGTHS** AND **TWO** **WHEELBASES**.

SHORT WHEELBASE AND LOW ROOF



LONG WHEELBASE AND HIGH ROOF





— INGENIOUS —
VERSATILITY
— CONVERSIONS. —

Versatility makes a difference on this van.
TALENTO can be easily adapted to any kind
of business and their specific needs.

* Samples of conversions prepared with our partners

FLOOR CAB



REFRIGERATED BODY*



Vehicle with isothermal insulation, ATP approved, which can keep internal temperatures constant up to 0°C. If a refrigerating unit is installed, the compartment turns into a cold room that can transport medicines or food products.



MOBILE WORKSHOP*



Version made of galvanized automotive steel with modular and flexible quick fastening system.





INGENIOUS TEAMWORK

GREAT TEAMS
RIDE TOGETHER.



Every great business needs teams working side by side and with Talento, teamwork will always be an asset.

The **COMBI** unique versatility allows to have a **SECOND ROW OF SEATS**, coming up to **SIX PLACES**. With the advantage of maintaining a large **LOAD COMPARTMENT** (3,2 M³ in short wheelbase versions and 4,0 M³ in the long wheelbase versions) to carry everything your team needs on the job.





INGENIOUS GEAR

THE BEST
TO WORK
SMARTER.

A great functional toolkit is the first and fundamental equipment of every clever hard worker, but a professional like you deserves more. That's why every detail of Talento was designed to truly make a difference at your work. Proudly helping you achieve more and carry great results.

PASTEL BODY COLOURS



5CA White



802 Red



0PY Urban Grey

METALLIC BODY COLOURS



6FW Light Grey



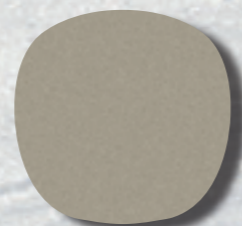
4SA Green



5JQ Blue



74G Dark Grey



6FX Beige



4H5 Black

FABRICS



New Black



Bark Brown



Carbon Black 073



Techno Silver 8RT



Living Brown 098

HUB CAPS AND RIMS



Hub cup 16"



Wheel cover 16"



Alloy wheels 17" Diamond Grey



Alloy wheels 17" Matt Black

PACK 1



- Side mirrors and rail cover **black grained**
- Front bumper **black grained**
- Front grill bars **black grained**

- Upper rear bumper **black grained**

PACK 2



- Side mirrors and rail cover **black grained**
- Upper front bumper **body color**
- Front grill bars **black grained**

- Upper rear bumper **black grained**

PACK 5



- Side mirrors and rail cover **body color**
- Upper and lower front bumper **body color**
- Front grill bars **metal color**

- Upper rear bumper **body color**

PACK 6



- Side mirrors and rail cover **body color**
- Upper and lower front bumper **body color**
- Front grill bars **black grained**

- Upper rear bumper **body color**

PACK 3



- Side mirrors and rail cover **black grained**
- Upper Front bumper **body color**
- Front grill bars **black grained**

- Upper rear bumper **body color**

PACK 4



- Side mirrors and rail cover **body color**
- Upper front bumper **body color**
- Front grill bars **black grained**

- Upper rear bumper **body color**

PACK 7



- Side mirrors and rail cover **body color**
- Upper and lower front bumper **body color**
- Front grill bars **metal color**

- Upper rear bumper **body color**
- Lower lateral and lower rear bumpers **body color**

PACK 8



- Side mirrors and rail cover **body color**
- Upper and lower front bumper **body color**
- Front grill bars **black grained**

- Upper rear bumper **body color**
- Lower lateral and lower rear bumpers **body color**



INGENIOUS

RANGE

FIAT PROFESSIONAL

A PRO LIKE YOU.

Recognizing a real pro is simple: just look at the equipment he has chosen for himself. Real pros work with pro tools only. That's why **FIAT PROFESSIONAL** is the best partner you could have, whatever your needs are. Its full **RANGE IS THE FIRST AND ONLY ONE BRANDED "PROFESSIONAL"** and it has been especially designed for specific purposes: yours.



DOBLÒ

You couldn't ask for a better way to work. You couldn't ask for a better business card. Simply unique. Just like your job.



FIORINO

The vehicle that invented the category. Unequalled in agility and capability. Cities love it. And so do the pros.



TALENTO

Agile, capable and ingenious. It's got the unique talent of transforming problems into solutions and challenges into opportunities. Day by day.



DUCATO

It's the undisputed leader in the world of work: the ground it's based upon. Strong, versatile and indispensable to everyone.





A PRO LIKE YOU



www.fiatprofessional.com